

VISVESVARAYA TECHNOLOGICAL UNIVERSITY, BELAGAVI



**SECAB INSTITUTE OF ENGINEERING AND TECHNOLOGY,
VIJAYAPUR – 586109**



2022 - 2023

**DEPARTMENT OF ELECTRONICS AND COMMUNICATION
ENGINEERING**

Project Synopsis on

**“E-DEFENCE FOR WOMEN SAFETY USING GSM&GPS WITH ELECTRIC
SHOCK GENERATING SANDAL”**

Submitted in the partial fulfillment of the requirements for the award of
degree of

**BACHELOR OF
ENGINEERING IN
ELECTRONIC AND COMMUNICATION ENGINEERING**

Submitted by

**SHIVANAND H BIRADAR
RAM RAJAPUR
MUSTAK DOTEGAR
SARFRAZ PEERZADE**

**2SA19EC021
2SA20EC401
2SA20EC400
2SA19EC019**

Under the Guidance of
PROF.M.R.CHIKKOND
Assistant Professor, Dept. of ECE

“E-DEFENCE FOR WOMEN SAFETY USING GSM&GPS WITH ELECTRIC SHOCK
GENERATING SANDAL”

1)Project Reference Number: 46S_BE_4160
2) Title of the project: E-DEFENCE FOR WOMEN SAFETY USING GSM&GPS WITH ELECTRIC SHOCK GENERATING SANDAL
3)Name of the College & Department: SECAB INSTITUTE OF ENGINEERING AND TECHNOLOGY, Vijayapur
Department: ELECTRONICS AND COMMUNICATION ENGINEERING
4) Name of the students & Guide(s):
Name Students:
1) Name: SHIVANAND H BIRADAR Email id: shivanandhbir@gmail.com Mobile No: +91 6364537964
2) Name: MUSTAK M DOTEGAR Email id: dotegar1999@gmail.com Mobile No.: +91 7353803824
3) Name: RAM Email id: ramrajapur1999@gmail.com Mobile No.: +91 9110885427
4) Name: SARFRAZ G PEERZADE Email id: peerzadesarfraz05@gmail.com Mobile No.: +91 7619206480
Name(s) of project guide(s):
1. Name: Prof. Mallanagoud R. Chikkond Email id: malluchikkond@gmail.com Contact No +91 9738544037
2. Name: Prof. Santosh Shirol Email id: santosh.i.shirol@gmail.com Contact No.: +91 9741649365
5)Keywords: Electric shock generator, GPS, GSM, SMS

INTRODUCTION

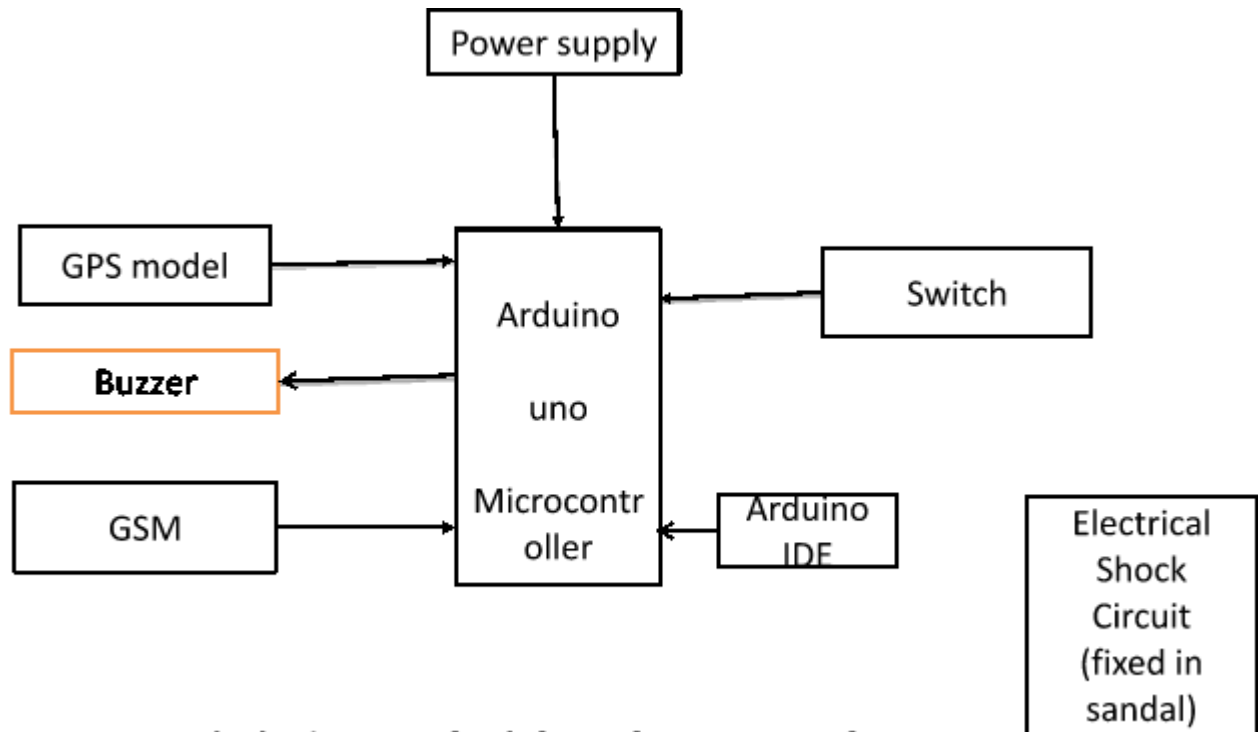
In the modern world, most of the women are in working in order to stand by their own. Unfortunately, due to security issues not only women even the girl children in the world are facing lot of problem in their day to day life. However, the safety and security of women and children in the country is the utmost priority for the Government and its a responsibility of each and every individual to provide a safer environment to the women. In the recent days, the educated women are supposed to work in a different environment and surrounding and also way from their native. So, being safer is becoming a vital problem for the working women. Now a day's women are committing with men in each and every domain to show their ability. As we all know that the mental ability of the women is comparatively very when compared to the men still, most of the women are having fear of going out due to the women harassment and it is going in increasing manner. It is the responsibility of every citizen to ensure the safer environment to the women and every woman should have an awareness regarding these issues to save themselves during those situations. In these days the technology developing sharply in day by day and many people are providing a solution to this problem in their own using the developed technology. The surveys on those solutions are discussed in order to provide a better solution to eradicate this issue in our nation. It is time to provide a save world to the women. The women should carry a device with them while going out for work to track them when they are outside.

The provided solution is discussed to give a more effective and better solution for this issue. And also it will generate shock wave to attack the enemy.

OBJECTIVES

In emergency situations, woman can press the emergency button fitted on the device. When the button is pressed, the device will activate a buzzer to alert the public and also it will generate shock wave to attack the enemy. The microcontroller will receive the location information from the GPS receiver and send a message to the family member about the emergency situation with location information so that they can take necessary action to help the woman.

METHODOLOGY



Block Diagram of E defence for women safety

- This is a system that is providing security for women the building system has a security tools that can help women in trouble.
- By pressing the switch, the entire system will be activated then immediately the signals are sent to the Arduino board.
- It processes these signals and Immediately the information is sent to the user.
- A GSM modem is interfaced to the Arduino. The GSM modem sends an SMS to predefined mobile number with location of the victim using GPS and GSM.
- Whenever, the panic button is pressed by the victim the reciver recives the signals and buzzer sounds.
- The victim's place will be followed by GPS tracking to nearby family numbers and police stations.
- And For On spot defend we fixed the shock generator in the sandal, still the police arrives she can defend from that person.

“E-DEFENCE FOR WOMEN SAFETY USING GSM&GPS WITH ELECTRIC SHOCK GENERATING SANDAL”

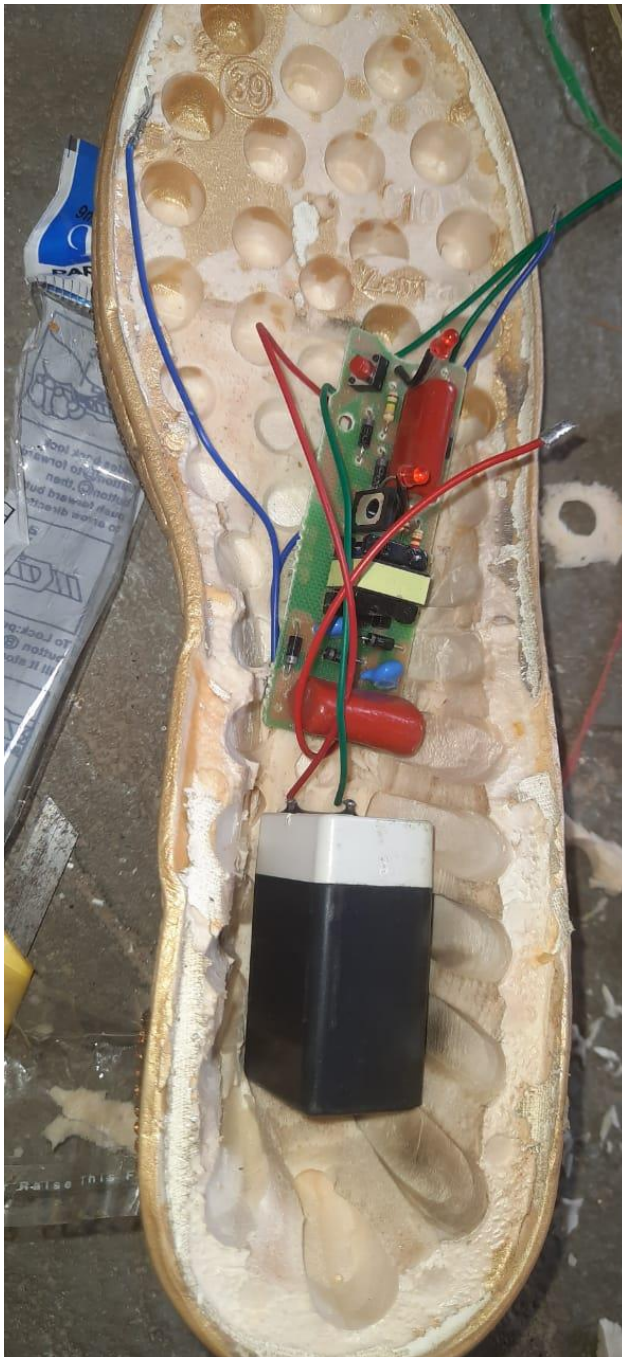


Fig Shock generating Circuit Fixed in Sandal

RESULTS AND CONCLUSIONS

- Our primary goal of this project is to ensure every woman in our society to feel safe and secured.
- This device provides one-touch activation. Therefore results in activation of Buzzer, Shock Generator, and alerting Police Station and a family member. This proves to be a device of safety and defense.
- The proposed design will deal with critical issues faced by women in the near past. And will help to solve them with technically sound equipment's and ideas. This system can overcome the fear that scares every woman in the country about her safety and security.

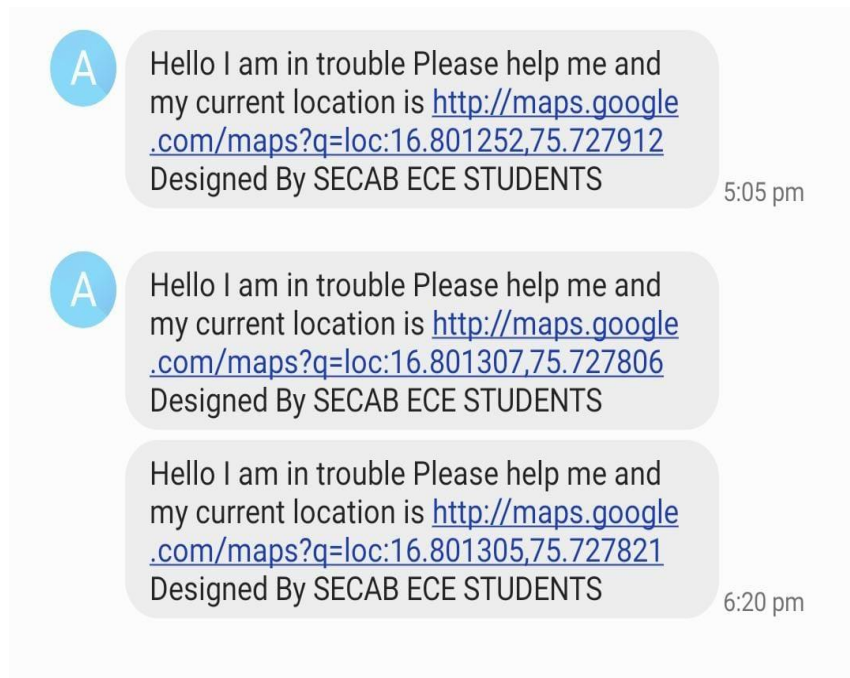


Fig SMS received with Location

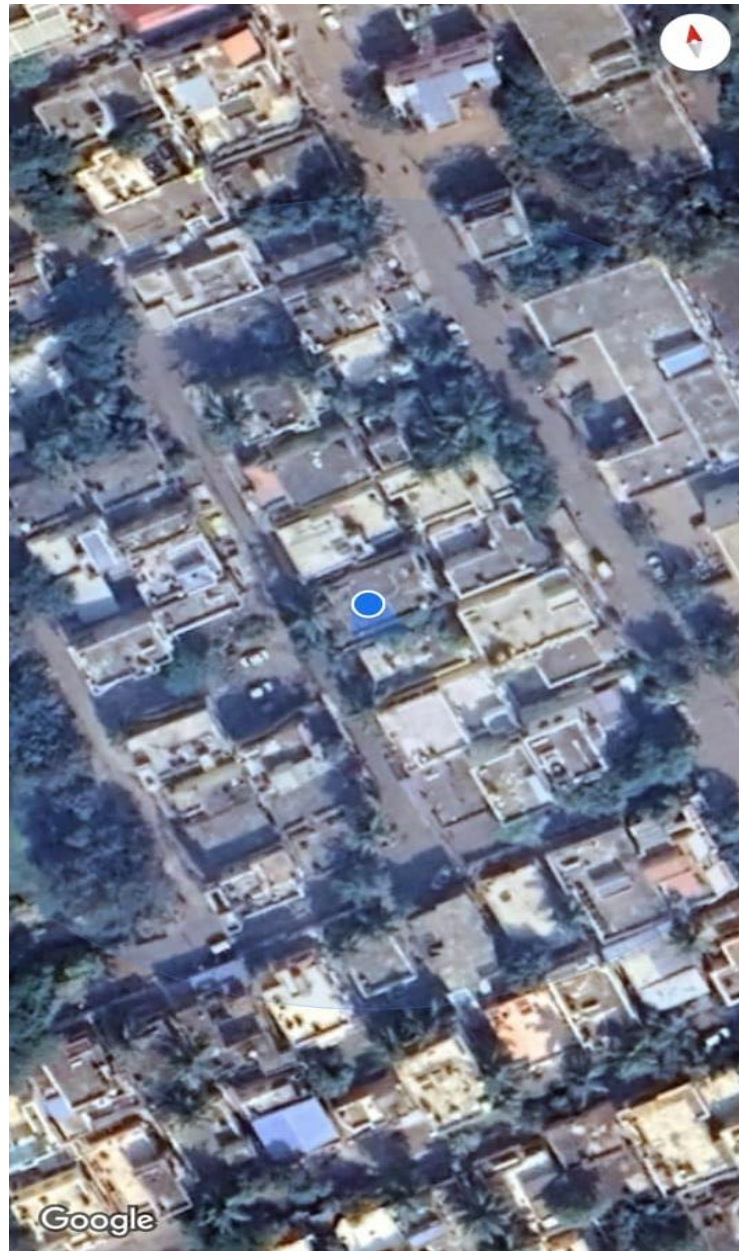


Fig Location Tracking

SCOPE FOR FUTURE WORK

This device can be improved further. Voice command can be included in the device so that one do not need to depend on pressing button. Based on the application a large community can be developed by which several activities can be done. The members of community can be notified during any occurrence The closest member based on the distance would be notified first, in this way help will reach faster to the victim. Self-defense activities, awareness programs can be arranged via the platform which will be beneficial for the students and working women. Our proposed device intends to minimize this crisis situation with technologically enriched solution. We are still in prototyping phase and working for the nano version model. The purpose of this device to save women from any unwanted incident from occurring. Harassments and violence against women has no place in a civilized society.